

Setting up the unit

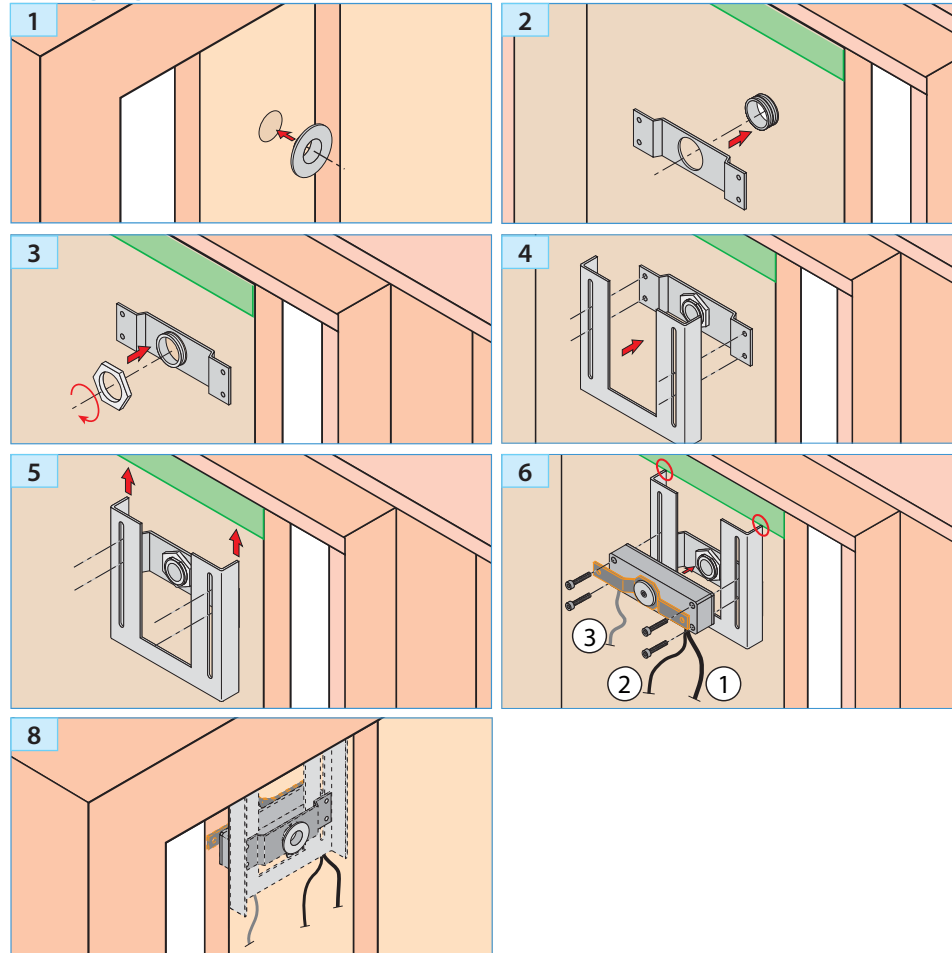
DAV700/750 LM80

DAV800/850 LM80

DEX LM80

MDV21 LM80

Mounting stages



DAV - DEX

WIRING (DAV) :

- ② : 3 wires (inverse contact) :
black (common) ; gray (NO) ; blue (NC).
- ③ : 2 wires : supply 24 V dc.

MDV21

WIRING (MDV21) :

- ① : monostable security contact
- ② : Microswitch
- ③ : Option EN81-71.



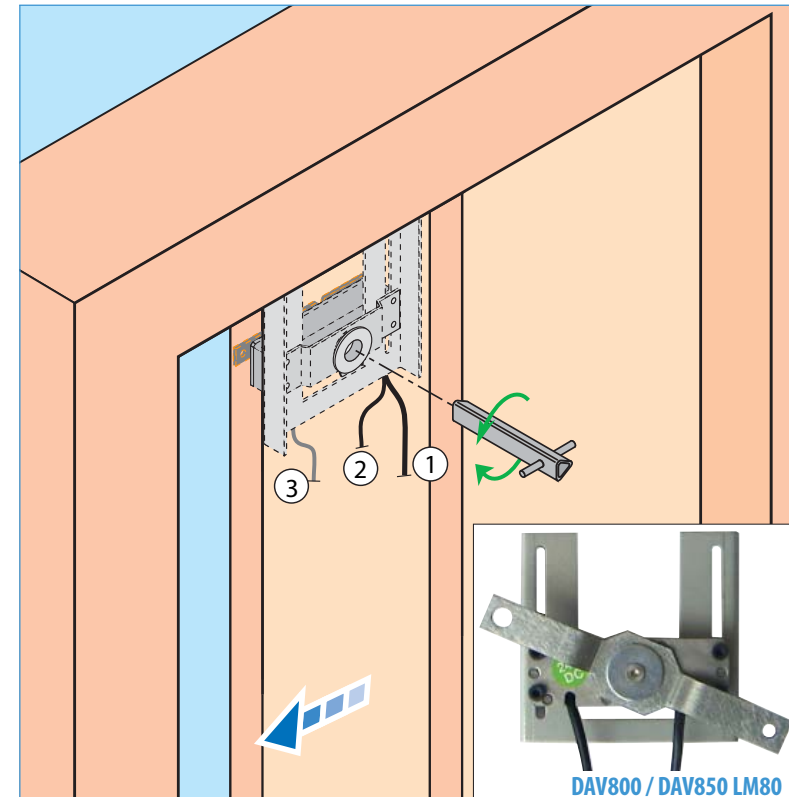
Works with a
bistable rearming
Controller ARM/
MDV21.

prudhomme S.a

38, Rue Charles de Gaulle F
94140 Paris/Alfortville
www.prudhomme.com
Tél. : +33 01 45 18 19 20
Fax : +33 01 45 18 19 21

- Electromechanical anti vandal unlocking (Otis LM80)

- Double door-opening detector (Otis LM80) Conformity with EN81.21, EN81.21 + EN81.71



Supplies :

- Set DAV Otis LM80 + Screws.
- Set DEX Otis LM80 + Screws.
- Set MDV21 Otis LM80 + Screws.

Optional :

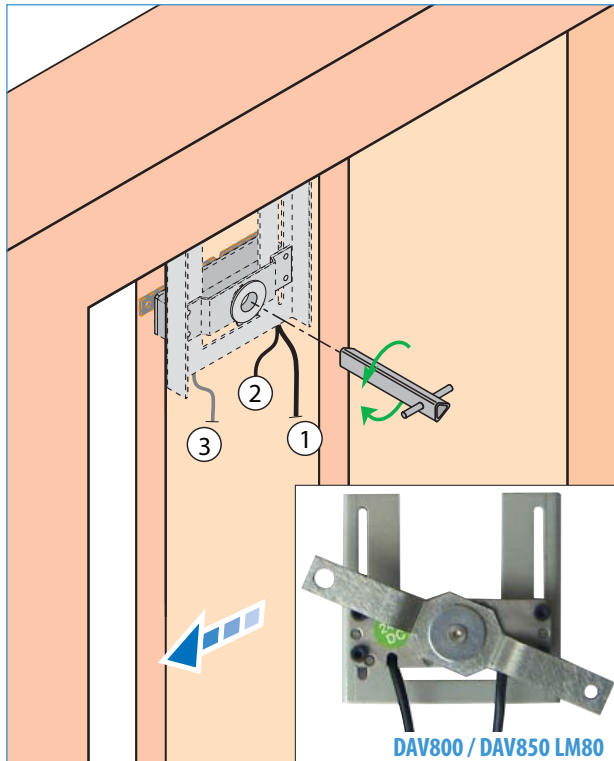
PLEASE, BEFORE INSTALLATION, READ IT CAREFULLY.

prudhomme S.a

Matériel spécifique pour ascenseurs - specific parts and components for elevators

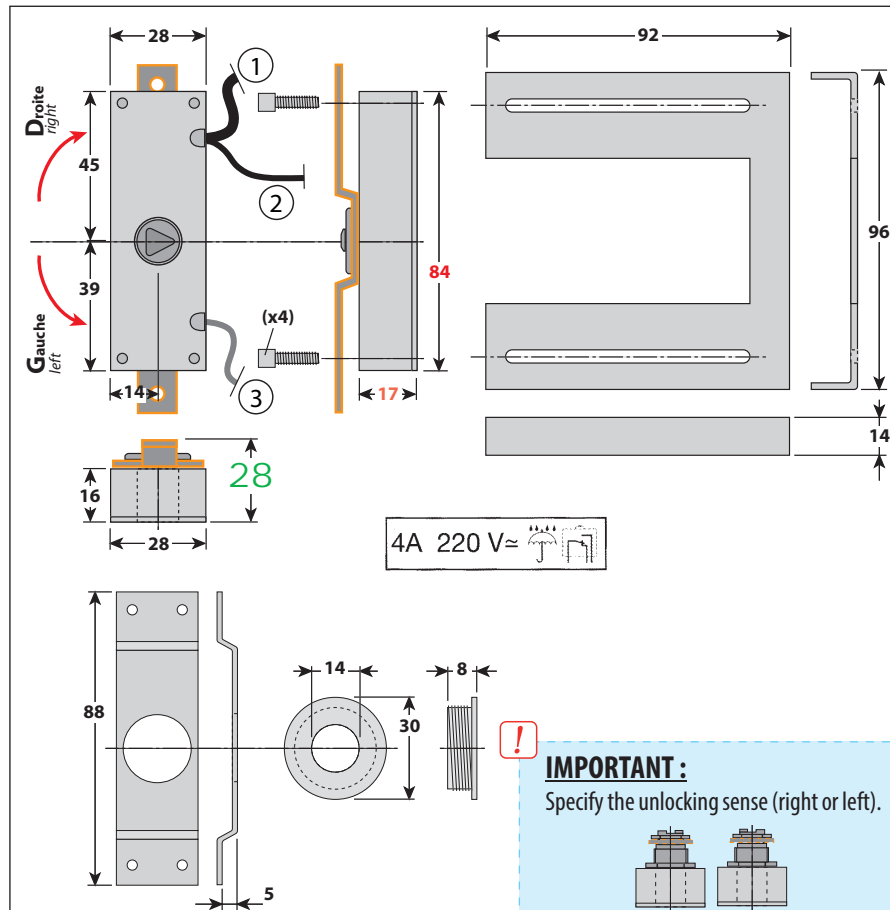
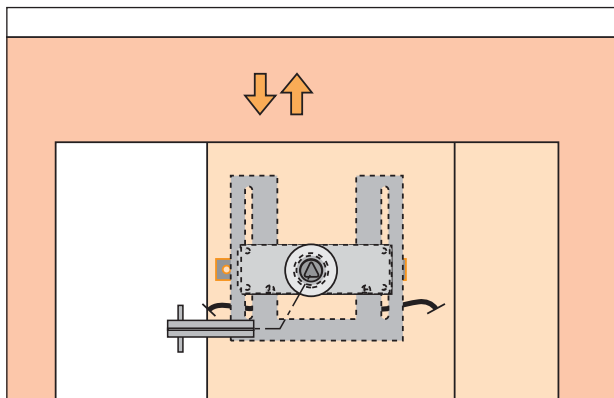
NI-A Document non contractuel, sous réserve de modification - Reproduction interdite. NI Ind. A du 15/03/2018

- Double door-opening detector (Otis LM80) Conformity with EN81.21, EN81.21 + EN81.71

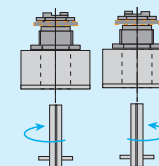


DAV800 / DAV850 LM80

New installation and Renovation



IMPORTANT :
Specify the unlocking sense (right or left).



DAV700 LM80-G
DAV750 LM80-G
DAV800 LM80-G
DAV850 LM80-G
DEX LM80-G
MDV21 LM80-G

DAV700 LM80-D
DAV750 LM80-D
DAV800 LM80-D
DAV850 LM80-D
DEX LM80-D
MDV21 LM80-D

DAV - DEX

- **DAV700 LM80** (24 V dc - 100 mA) : Locking only, **Switched on** : device blocking.
- **DAV750 LM80** (24 V dc - 100 mA) : Locking only, **Switched off** : device blocking.
- **DAV800 LM80** (24 V dc - 100 mA) : Switched on, mechanical sticking accessible to the triangle (impossible to use the unlocking key of the lock).
- **DAV850 LM80** (24 V dc - 100 mA) : Switched off, mechanical sticking accessible to the triangle (impossible to use the unlocking key of the lock).
- **DEX LM80** (microswitch) : inverse contact for buzzer.

WIRING (DAV) :

- ② : 3 wires (inverse contact) : **black** (common), **gray** (no) **blue** (NC)
- ③ : 2 wires : feeding 24 V dc

MDV21

WIRING (MDV21) :

- ① : monostable security contact
- ② : Microswitch
- ③ : Option EN81-71.

